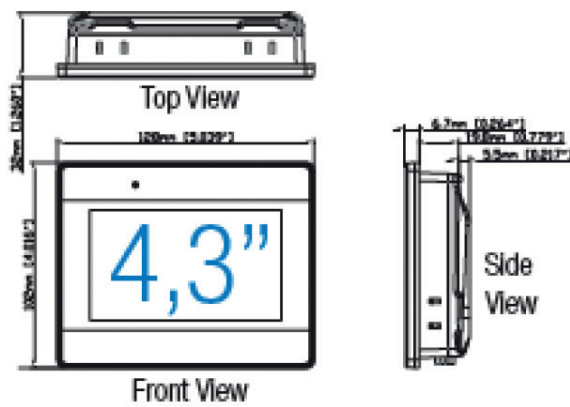
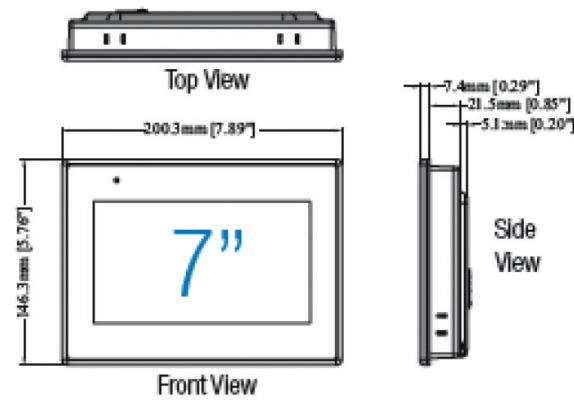


DIMENSION

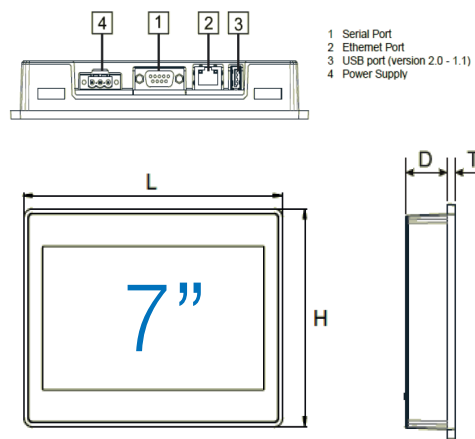
VISUAL1E, VISUAL3



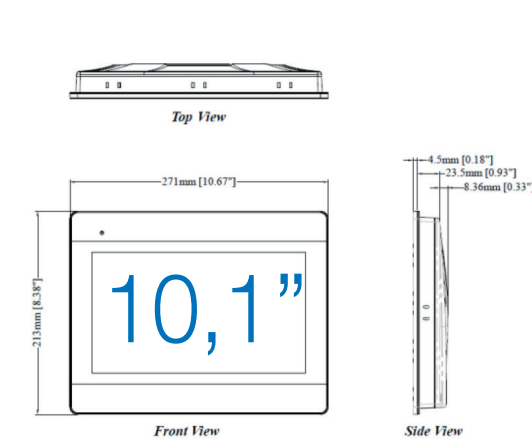
VISUAL2E, VISUAL4, VISUAL4T, VISUAL6



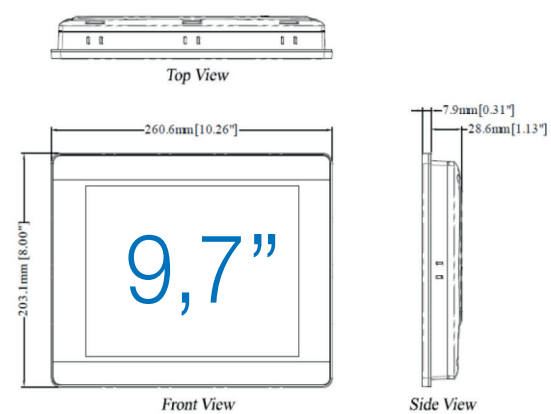
VISUAL5-PC, VISUAL5-WB



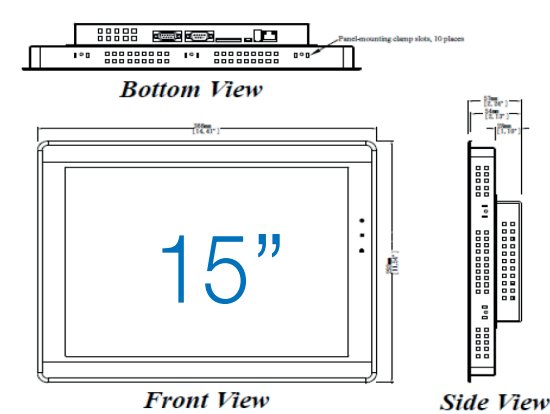
VISUAL7, VISUAL8, VISUAL9



VISUAL10, VISUAL11



VISUAL12



EASY BUILDER PRO
HMI programming environment

- Integrated windows development environment, toolbars, dialogs, menu bars, drag & drop drawing objects
- Multi-function objects for dynamic use to support user screenpages (graphics, buttons, alarm history etc.)
- Multilanguage display support
- More than 250 drivers available to ensure easy connection to PLCs, temperature controllers, barcode readers etc.

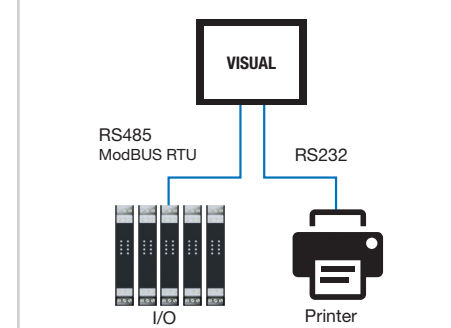


EASY ACCESS
Remote assistance tool

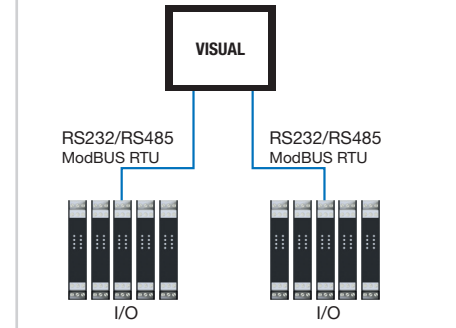
- Remote assistance system enabled on HMI VISUAL Series equipped with Ethernet port
- Remote access to the operator panel and, in passthrough mode, to PLCs and devices connected to it (in serial or Ethernet mode) without any network configuration
- SSL VPN connection for secure data and information exchange with low bandwidth usage

CONNECTION EXAMPLE

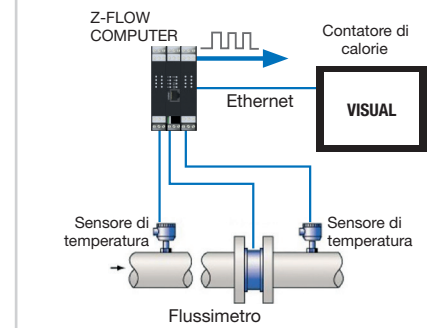
SERIAL COMMUNICATION



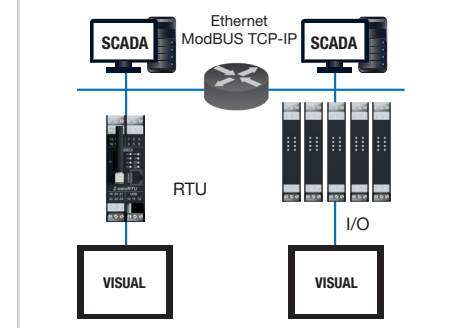
DISTRIBUTED SERIAL NETWORK



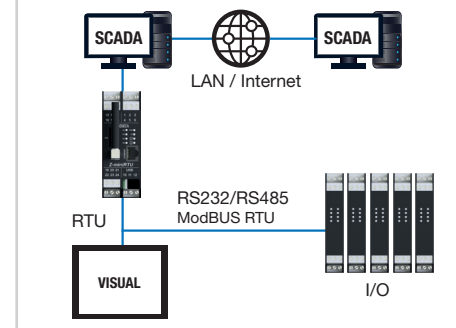
FLOW COMPUTER HMI



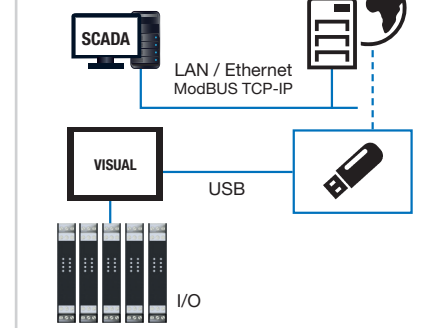
ETHERNET



REMOTE CONTROL



DATA STORAGE



ORDER CODES

Code	Description	Code	Description
VISUAL1E	4,3" touch screen operator panel, Ethernet	VISUAL6	7" HMI widescreen colors, double Ethernet interface
VISUAL2E	7" touch screen operator panel, Ethernet	VISUAL7N	10,1" HMI widescreen colors, Ethernet interface
VISUAL3	4,3" touch screen operator panel, 480x272, ARM 600 MHz, TFT 16 milioni colors, RAM 128 MB, Nr1 USB host 2.0, Nr1 RS232/RS485, Nr1 RS485, Nr1 Ethernet	VISUAL8	10,1" HD HMI widescreen colors, Ethernet interface
VISUAL4	7" touch screen operator panel, 800x480, ARM 600 MHz, TFT 16 milioni colors, RAM 128 MB, Nr1 USB host 2.0, Nr1 RS232, Nr2 RS485, Nr1 Ethernet	VISUAL9	10,1" HD HMI widescreen colors, Ethernet interface, WiFi
VISUAL4T	7" HMI widescreen 64k colors, Ethernet interface, aluminum case	VISUAL10	9,7" HMI widescreen colors, Ethernet interface
VISUAL5-PC	7"HMI widescreen 64k colors, Ethernet interface, S6001-PC spare version	VISUAL11	9,7" HMI widescreen colors, double Ethernet interface
VISUAL5-WB	7"HMI widescreen 64k colors, Ethernet interface, HMI / Web Server version	VISUAL12	15" HMI widescreen colors, Ethernet interface, aluminum case

Accessories and Software

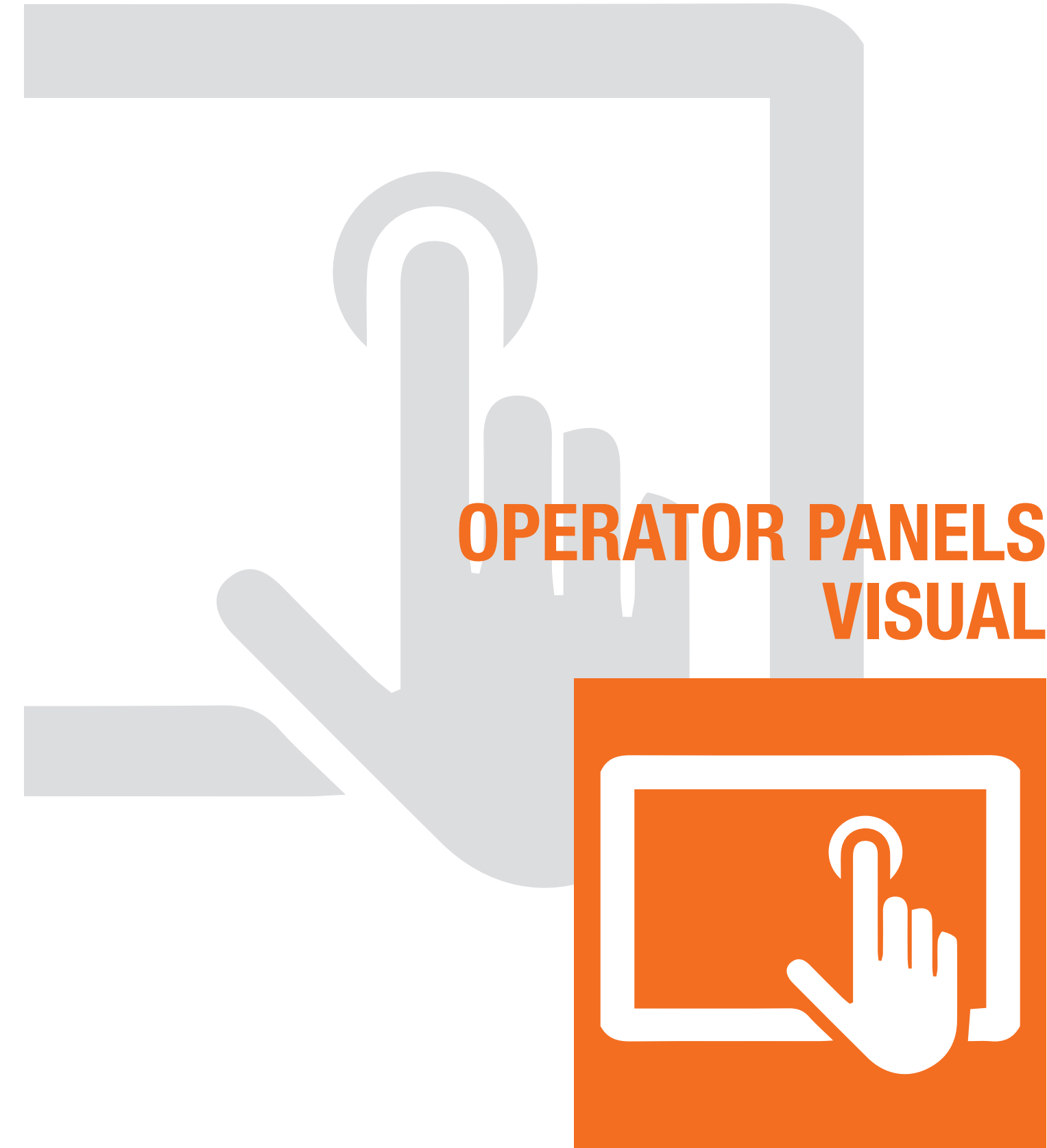
CE-RJ45-RJ45-R	Straight-thru Ethernet cable (RJ45-RJ45)
CS-DB9F-TIP-V	RS485 serial connection cable (DB9F - tips)
CS-DB9M-TIP-V	RS485 serial connection cable (DB9M - tips)
EB PRO	Configuration software for touchscreen operator panels VISUAL Series (except VISUAL5)
EASY ACCESS	Remote Assistance Tool



Via Austria, 26 • 35127 Padova - (I) - Tel. +39 049 87.05.359
 Fax +39 049 87.06.287 • www.seneca.it • info@seneca.it

No liability for the contents of this documents can be accepted. Use the concepts, examples and other content at your own risk. There may be errors and inaccuracies in this document, that may of course be damaging to your system. Proceed with caution, and although this is highly unlikely, the author(s) do not take any responsibility for that. Prices indicative only & subject to change without notice.

19C0074 - Publication VISUAL_01191T - January 2019



TOUCHSCREEN OPERATOR PANELS WITH TFT LCD DISPLAY

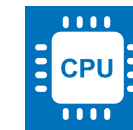
VISUAL touchscreen Operator Panels are suitable to satisfy a wide range of applications from small automation to control of complex industrial processes. With 4,3", 7", 9,7", 10,1", 15" and widescreen format display they allow the visualization of more information than a traditional display, while ensuring external compact dimension.

HMI VISUAL screens can be freely horizontally or vertically oriented, depending on the needs of the application. TFT displays support up to 16 million colors with high resolution and LED backlighting.

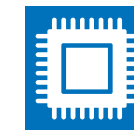
VISUAL operator terminals are designed to be installed in the harshest environmental conditions thanks to IP65/IP66 front protection. The VISUAL Series is customizable through the design toolkit "EasyBuilder PRO" provided with a powerful and simple user interface. Through Ethernet, USB, RS232, RS485 communication interfaces, with protocol support ModBUS RTU / TCP-IP, the HMI operator terminals are matchable to the most common industrial controllers and other supervisory and automation systems.



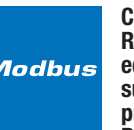
Display TFT ad alta risoluzione fino a 16 milioni di colori, retroilluminati a LED



Processori RISC 400 MHz CORTEX A8 /600 / 800 MHz / 1 GHz



Memoria Flash 128 / 256 MB / 512 MB
Memoria ricette 256 kB



Comunicazione RS232/RS485 ed Ethernet con supporto dei protocolli ModBUS RTU e ModBUS TCP-IP



Certificazioni CE e UL



Robustezza industriale con grado di protezione NEMA4/IP65 /IP66 frontale



Tool di programmazione Windows con funzionalità editing evolute



Touchscreen resistivo 4 fili

TECHNICAL DATA

	VISUAL1E	VISUAL2E	VISUAL3	VISUAL4	VISUAL4T	VISUAL5-PC	VISUAL5-WB	VISUAL6	VISUAL7N	VISUAL8	VISUAL9	VISUAL10	VISUAL11	VISUAL12
DISPLAY														
	4,3" touch screen operator panel, Ethernet interface	7" touch screen operator panel, Ethernet interface	4,3" touch screen operator panel, 16 million colors, Ethernet interface	7" touch screen operator panel, 16 million colors, Ethernet interface	7" HMI widescreen 64k colors, Ethernet interface, aluminum case	7"HMI widescreen 64k colors, Ethernet interface, S6001-PC spare version	7"HMI widescreen 64k colors, Ethernet interface, HMI / Web Server version	7" HMI widescreen colors, double Ethernet interface	10,1" HMI widescreen colors, Ethernet interface	10,1" HD HMI widescreen colors, Ethernet interface	10,1" HD HMI widescreen colors, Ethernet interface, WiFi	9,7" HMI widescreen colors, Ethernet interface	9,7" HMI widescreen colors, double Ethernet interface	15" HMI widescreen colors, Ethernet interface, aluminum case
DISPLAY	4.3" TFT LCD	7" TFT LCD	4,3 " TFT LCD	7" TFT LCD	7" TFT LCD	7" TFT	7" TFT	7" TFT LCD	10,1" TFT LCD	10,1" TFT LCD	10,1" TFT LCD	9,7" TFT LCD	9,7" TFT LCD	15" TFT LCD
Resolution	480x272	800x480	480x272	800x480	800x480	800x480	800x480	800x480	1024x600	1024x600	1024x600	1024x768	1024x768	1024x768
Format	16:9	16:9	16:9	16:9	16:9	16:9	16:9	16:9	16:9	16:9	16:9	4:3	4:3	4:3
Brightness	500 cd/m2	350 cd/m2	500 cd/m2	350 cd/m2	350 cd/m2	200 cd/m2	200 cd/m2	400 cd/m2	350 cd/m2	350 cd/m2	350 cd/m2	350 cd/m2	300 cd/m2	400 cd/m2
Contrast	500:1	500:1	500:1	500:1	500:1	-	-	800:1	500:1	500:1	500:1	500:1	500:1	700:1
Backlit	LED > 30.000 hours	LED > 30.000 hours	LED > 30.000 hours	LED > 30.000 hours	LED > 30.000 hours	LED > 20.000 hours	LED > 20.000 hours	LED > 30.000 hours	LED > 20.000 hours	LED > 50.000 hours	LED > 50.000 hours	LED > 30.000 hours	LED > 30.000 hours	LED > 50.000 hours
Colors	65.536	65.536	16 millions	16 millions	16 millions	65535	65535	16,7 millions	262k	16,7 millions	262k	16,7 millions	16,2 millions	16,2 millions
Touchscreen	4 wires, resistive	4 wires, resistive	4 wires, resistive	4 wires, resistive	4 wires, resistive	4 wires, resistive	4 wires, resistive	4 wires, resistive	4 wires, resistive	4 wires, resistive	4 wires, resistive	4 wires, resistive	4 wires, resistive	4 wires, resistive
Accuracy	±2%	±2%	±2%	±2%	±2%	-	-	±2%	±2%	±2%	±2%	±2%	±2%	±2%
COMMUNICATION														
USB 2.0	1	1	1	1	1	1	-	1	-	1	1	1	1	2
Ethernet 10/100	1	1	1	1	1	1	1	-	1	1	1 + WiFi IEEE 802.11 b/g/n	1	-	1
Ethernet 10/100/1000	-	-	-	-	-	-	-	2	-	-	-	-	2	-
COM1	RS232	RS232	RS232	RS232	RS232	RS232/RS485/RS422 configurable	RS232/RS485/RS422 configurable	RS232	RS232 (isolated)	RS232	RS232	RS232	RS232	RS485 (isolated)
COM2	RS485	RS485	RS485	RS485	RS485	-	-	RS485	RS485 (isolated)	RS485	RS485	RS485	RS485	-
COM3	-	-	-	-	-	-	-	RS232/RS485	RS485 (isolata)	-	-	-	-	-
SD Card Slot	-	-	-	-	-	-	-	-	-	-	-	-	-	Si
Industry 4.0 / MQTT support	-	-	Si	Si	-	-	-	Si	-	-	Si	-	-	-
GENERAL DATA														
Flash	128MB	128 MB	128 MB	128 MB	256 MB	4 GB	4 GB	128 MB	128 MB	128 MB	128 MB	512 MB	512 MB	256 MB
RAM	128MB	128 MB	128 MB	128 MB	256 MB	512 MB	512 MB	128 MB	128 MB	128 MB	128 MB	256 MB	256 MB	256 MB
Processor	Cortex A8 600MHz	Cortex A8 600MHz	32 bit RISC Cortex A8 600 MHz	32 bit RISC Cortex A8 600 MHz	32 bit RISC Cortex A8 600 MHz	ARM Cortex A8 1 Ghz	ARM Cortex A8 1 Ghz	32 bit RISC Cortex A8 600 MHz	32 bits RISC Cortex-A8 600MHz	32 bits RISC Cortex-A8 600MHz	32 bits RISC Cortex-A8 600MHz	Cortex A8 1GHz	Cortex A8 1GHz	Cortex A8 1GHz
RTC	Built-in	Built-in	Built-in	Built-in	Built-in	Built-in	Built-in	Built-in	Built-in	Built-in	Built-in	Built-in	Built-in	Built-in
Power supply	24 Vdc	24 Vdc	24 Vdc	24 Vdc	24 Vdc	24 Vdc	24 Vdc	24 Vdc	24 Vdc	24 Vdc	24 Vdc	24 Vdc	24 Vdc	24 Vdc
Power consumption	400mA @ 24 Vdc	500 mA @ 24 Vdc	300 mA @ 24 Vdc	350 mA @ 24 Vdc	300 mA @ 24 Vdc	300 mA @ 24 Vdc	300 mA @ 24 Vdc	600 mA @24Vdc	650 mA @ 24 Vdc	650 mA @ 24 Vdc	650 mA @ 24 Vdc	500 mA @ 24 Vdc	650mA @ 24 Vdc	1000 mA @ 24 Vdc
Case	Plastic	Plastic	Plastic	Plastic	Aluminum	Plastic	Plastic	Plastic	Plastic	Plastic	Plastic	Plastic	Plastic	Aluminum
Dimension (lxhxp)	128 x102 x 32 mm	200,4 x146,5 x 34 mm	128 x102 x 32 mm	200,4 x146,5 x 34 mm	200,3 x 146,3 x 34 mm	187X147 X29 mm	187X147 X29 mm	200,3 x 146,3 x 34 mm	271 x 213 x 40	271 x 213 x 36,4	271 x 213 x 36,4	260,6 x 203,1 x 36,5	260,6 x 203,1 x 36,5	366 x 293 x 57
Hole dimension	119x93 mm	192x138 mm	119x93 mm	192x138 mm	192 x 138 mm	192 x 138 mm	192 x 138 mm	192 x 138 mm	260 x 202 mm	260 x 202 mm	260 x 202 mm	250 x 192 mm	250 x 192 mm	352 x 279 mm
Weight	250 g	520 g	250 g	600 g	900 g	600 g	600 g	600 g	1300 g	1000 g	1000 g	850 g	850 g	2750 g
Operating temperature	-20...+60°C	-20...+60°C	-20...+60°C	-20...+60°C	-20...50°C	0...50 °C	0...50 °C	0...50°C	0...50°C	0...50°C	0...50°C	0...50°C	0...50°C	0...50°C
Protection degreee	NEMA4 / IP65	NEMA4 / IP65	NEMA4 / IP65	NEMA4 / IP65	NEMA4 / IP65	Front IP66 REAR IP20	Front IP66 REAR IP20	NEMA4 / IP65	NEMA4 / IP65	NEMA4 / IP65	NEMA4 / IP65	NEMA4 / IP65	NEMA4 / IP65	UL Type4X / NEMA4 / IP65
Approvals	CE	CE	CE	CE	CE	CE, UL508 Type 4X	CE, UL	CE/UL /ATEX2	CE	CE/UL	CE/UL	CE/UL	CE/UL	UL Type4X / NEMA4 / IP65
Norms	EN 55022, EN 55024, EN 61000-3-2, EN 61000-3-3, AS/NZS CISPR22	EN 55022, EN 55024, EN 61000-3-2, EN 61000-3-3, AS/NZS CISPR22	EN 55022, EN 55024, EN 61000-3-2, EN 61000-3-3, AS/NZS CISPR22	EN 55022, EN 55024, EN 61000-3-2, EN 61000-3-3, AS/NZS CISPR22	EN 55022, EN 55024, EN 61000-3-2, EN 61000-3-3, AS/NZS CISPR22	EN 61000-6-4, Immunity EN61000-6-2:EN61000-6-3; EN61000-6-1	EN 61000-6-4, Immunity EN61000-6-2:EN61000-6-3; EN61000-6-1	EN 55022, EN 55024, EN 61000-3-2, EN 61000-3-3, AS/NZS CISPR22	EN 55022, EN 55024, EN 61000-3-2, EN 61000-3-3, AS/NZS CISPR22	EN 55022, EN 55024, EN 61000-3-2, EN 61000-3-3, AS/NZS CISPR22	EN 55022, EN 55024, EN 61000-3-2, EN 61000-3-3, AS/NZS CISPR22	EN 55022, EN 55024, EN 61000-3-2, EN 61000-3-3, AS/NZS CISPR22	EN 55022, EN 55024, EN 61000-3-2, EN 61000-3-3, AS/NZS CISPR22	EN 55022, EN 55024, EN 61000-3-2, EN 61000-3-3, AS/NZS CISPR22
SETTINGS														
Programming toolkit	EASY BUILDER PRO	EASY BUILDER PRO	EASY BUILDER PRO	EASY BUILDER PRO	EASY BUILDER PRO	Jmobile (a pagamento)	Web Server	CE, UL, ATEX Zone 2	EASY BUILDER PRO	EASY BUILDER PRO	EASY BUILDER PRO	EASY BUILDER PRO	EASY BUILDER PRO	EASY BUILDER PRO
Remote access			EASY ACCESS	EASY ACCESS				EASY ACCESS						
CAVI														
CS-DB9F-TIP-V	x	x	x			-				x	x	x	x	x
CS-DB9M-TIP-V				x	x	-		x	x	x	x	x	x	x
CE-RJ45-RJ45-R	x	x	x	x	x	-		x	x	x	x	x	x	x